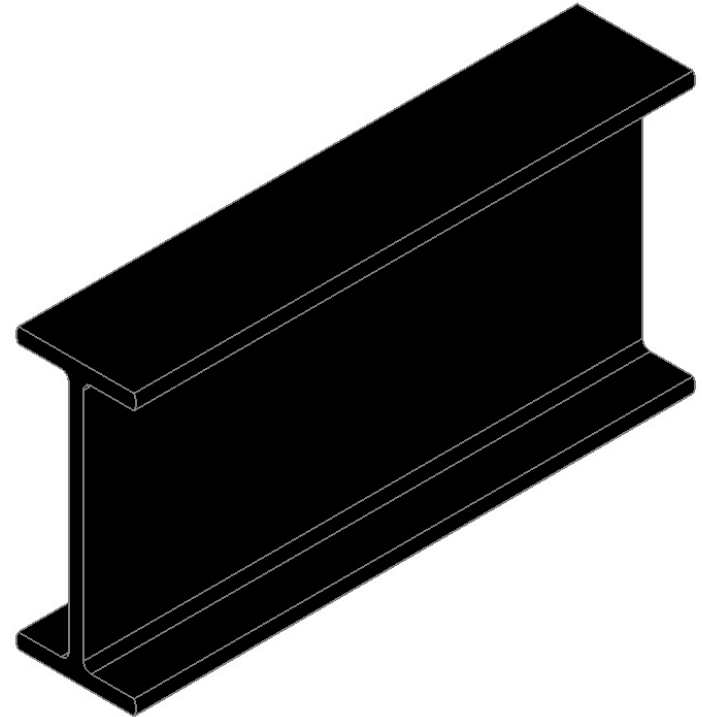
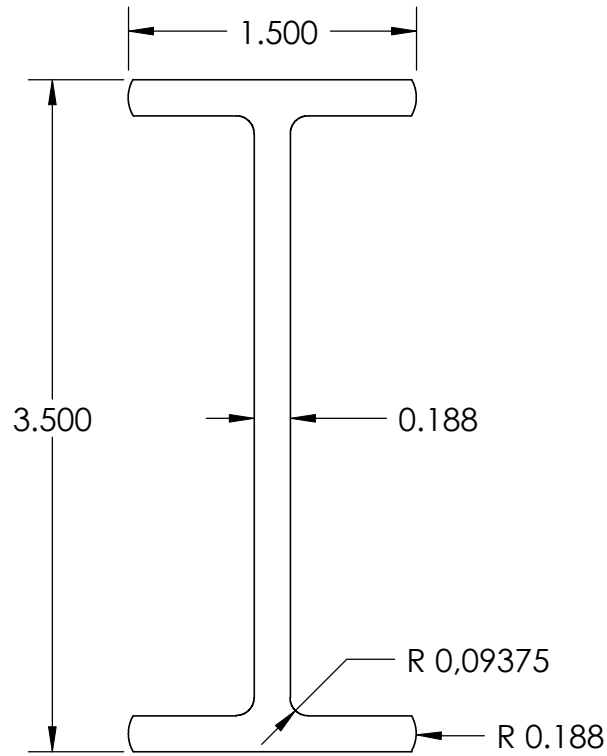

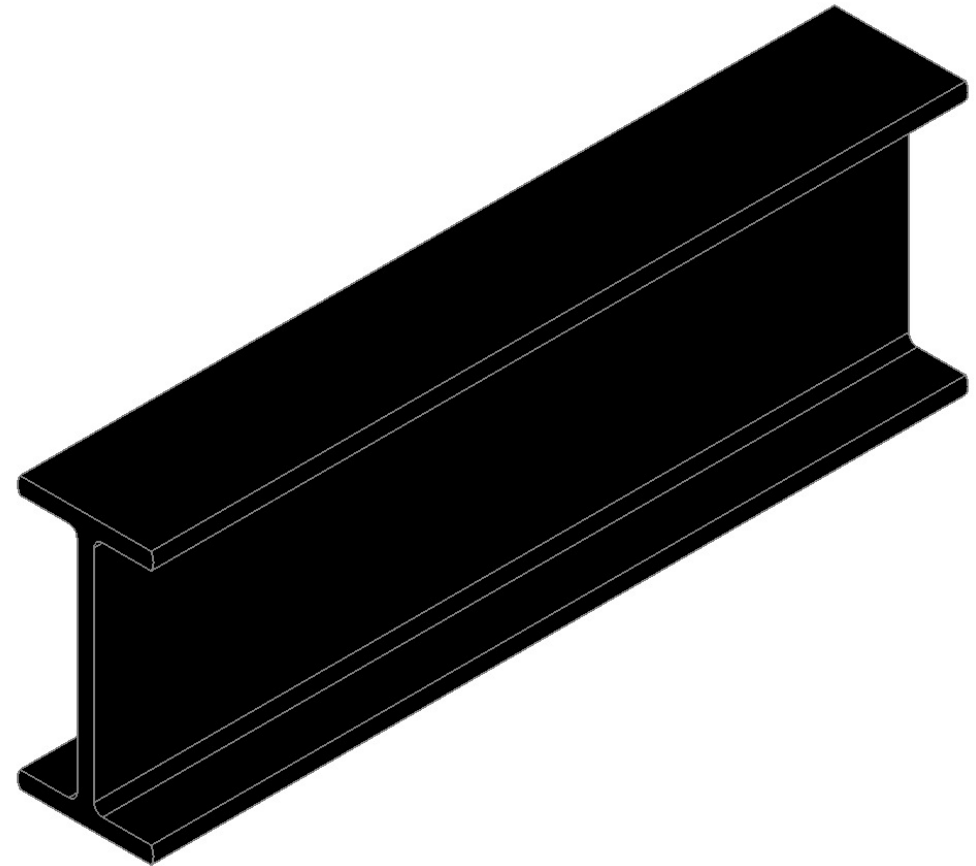
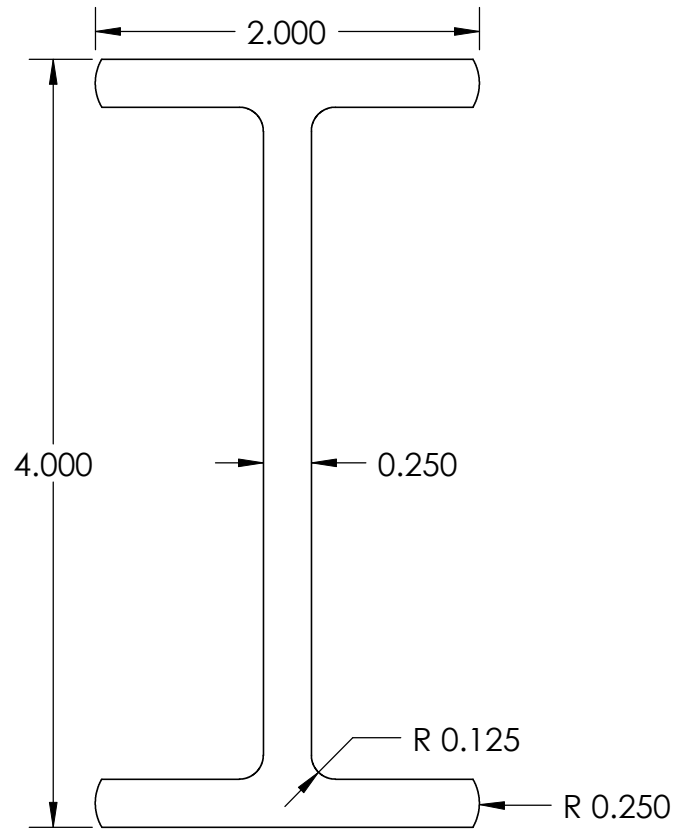



I - BEAM 3 1/2" x 1 1/2" x 3/16"



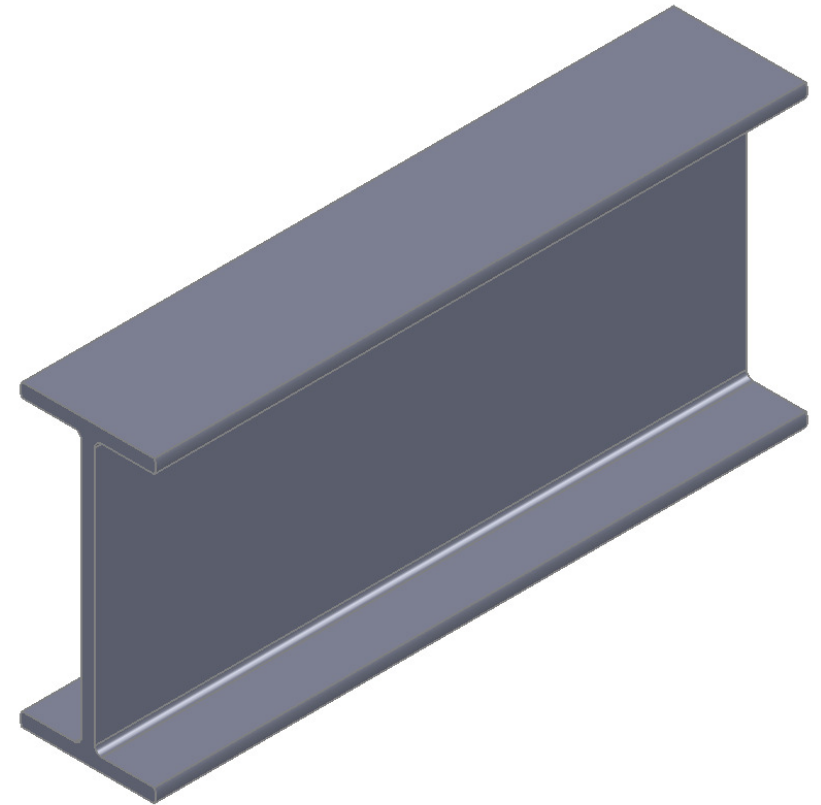
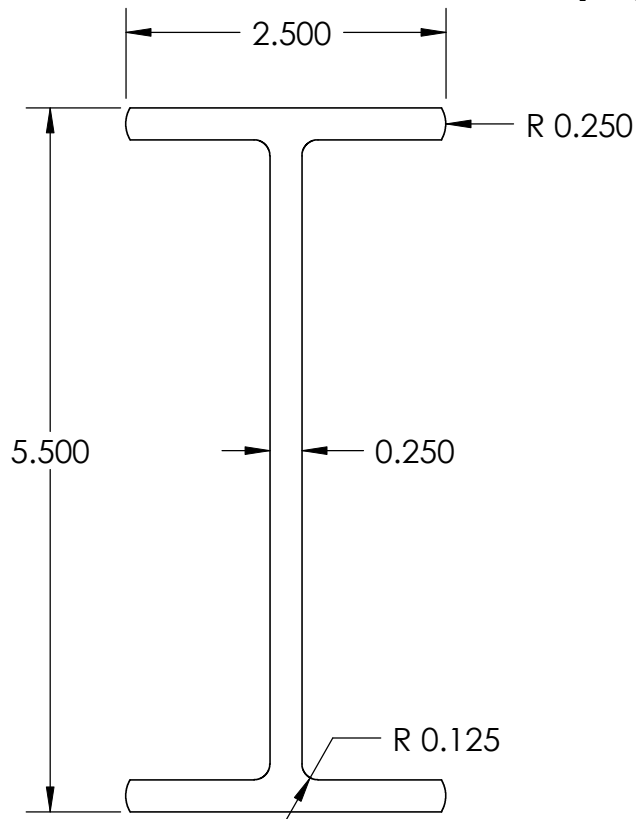
| | | | | | | | | | |
|---------------------------------|------|-----------------|----------------------|------|-----------------|--------------------------------------|--|---|--|
| Wt/ft . = | 0.90 | lbs. | Ix = | 2.02 | in ⁴ | Material: Fiberglass Structure | FASTEC DE MEXICO S.A. DE C.V. | | |
| bf/tf = | ---- | | Sx = | 1.16 | in ³ | | Date of elaboration: November, 2012 |  | |
| Fb = | ---- | psi. | Iy = | 0.11 | in ⁴ | Elaborated: ING. V.P.B.A. | | | |
| Aw = | 1.15 | in ² | J = | ---- | in ⁴ | Approved: | Project name: | | |
| I.BEAM CODES: 50-0202 | | | 52-0202 | | | 62-0202 | | | |
| 3.5x1.5x0.188 S.P. | | | 3.5x1.5x0.188 P.F.R. | | | 3.5x1.5x0.188 V.E.F.R. | | | |
| Units: inches | | | | | | Scale: NTS | | PAGE 1 DE 1 | |


I - BEAM 4" x 2" x 1/4"



| | | | | |
|---|---------------------------|-------------------------------------|---|-----------------|
| Wt/ft . = 1.48 lbs. | lx = 4.42 in ⁴ | Material: Fiberglass Structure | FASTEC DE MEXICO S.A. DE C.V. | |
| bf/tf = 8.00 | sx = 2.21 in ³ | Date of elaboration: November, 2012 |  | |
| Fb = --- psi. | ly = 0.34 in ⁴ | Elaborated: ING. V.P.B.A. | Drawing name: I - BEAM 4" x 2" x 1/4" | |
| Aw = 1.88 in ² | J = ---- in ⁴ | Approved: | Project name: | Drawing number: |
| I.BEAM CODES: 50-0203 52-0203 62-0203 | | Units: inches | Scale: NTS | PAGE 1 DE 1 |
| 4.00x2.00x0.250 S.P. 4.00x2.00x0.250 P.F.R. 4.00x2.00x0.250 V.E.F.R. | | | | |

I - SHAPES 5 1/2" x 2 1/2" x 1/4"



| | | | | | | | | | |
|---------------------------------|-------|-----------------|----------------------|-------|-----------------|--|---|-----------------|---------------|
| Wt/ft . = | 1.95 | lbs. | Ix = | 11.23 | in ⁴ | Material: Fiberglass Structure | FASTEC DE MEXICO S.A. DE C.V. | | |
| bf/tf = | 10.00 | | Sx = | 4.08 | in ³ | |  | | |
| Fb = | ----- | psi. | Iy = | 0.66 | in ⁴ | Date of elaboration: November, 2012 | | | Drawing name: |
| Aw = | 2.50 | in ² | J = | ----- | in ⁴ | Elaborated: ING. V.P.B.A. | I - SHAPES 5 1/2" x 2 1/2" x 1/4" | | |
| I.BEAM CODES: 50-0202 | | | 52-0202 | | | Approved: | Project name: | Drawing number: | |
| 5.5x2.5x0.250 S.P. | | | 5.5x2.5x0.250 P.F.R. | | | 5.5x2.5x0.250 V.E.F.R. | Units: inches | Scale: NTS | PAGE 1 DE 1 |